

PULSE MONITOR OPTION

MODEL L732

Before installing this kit, a **TECHNICALLY QUALIFIED INDIVIDUAL**, who is familiar with this type of equipment and hazards involved, should **READ** this **ENTIRE INSTRUCTION SHEET**.

IMPORTANT

This kit may have been installed by the factory. However, certain steps can only be completed at the installation site. Therefore, review and then perform those steps which complete the installation process.

INTRODUCTION

When installed, this option provides a 0-12V pulse output, which is a multiple of the Inverter Output Frequency (F) (6 x F, 10 x F, 12 x F, or 36 x F). Refer to Technical Manual description of system constant Sn-07.

CAUTION

This option contains Electrostatic Sensitive Devices. Personnel should be grounded before removing contents from the carton and installing this into the equipment.

INSTALLATION

1. Disconnect all electrical power to drive.
2. Remove drive front cover.
3. Verify voltage has been disconnected by using a voltmeter to check for voltage at incoming power terminals.

WARNING

HAZARDOUS VOLTAGE CAN CAUSE SEVERE INJURY OR DEATH.

LOCK ALL POWER SOURCES FEEDING DRIVE IN "OFF" POSITION.

4. See Figure 1. Install the option on the Main Control Board, 1PCB, and insure 8CN and 9CN are properly connected. Make sure Electrostatic procedure is followed.

CHANGE RECORD					

DWG. NO. 02Y00025-0262
SHEET 1 OF 4
EFF. 11/15/88 (I)

Table 1. Specifications

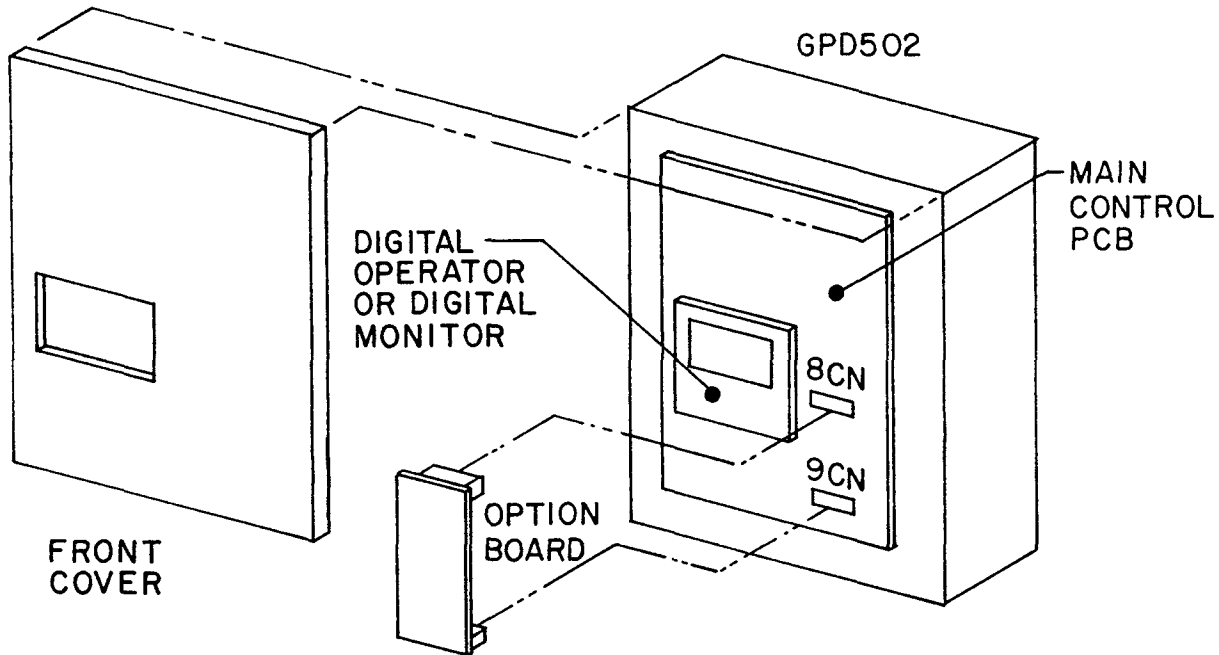
Parameter	Pulse Monitor Output			Unit
	Min.	Nom.	Max.	
V_o			12	V
I_{OL}			20	mA
Duty Cycle		50		%
Output Accuracy			0.03	%
Frequency Output (See description of Sn-07)	$6 \times F$	$10 \times F,$ $12 \times F$	$36 \times F$	HZ

V_o : Output Voltage

I_{OL} : Low-Level Output Current

F: Inverter Output Frequency

DWG. NO. 02Y00025-0262
 SHEET 2 OF 4
 EFF. 11/15/88 (1)



REF.2Y25.GPD502.OPTION

Figure 1. Installation of Pulse Monitor In GPD 502

5. Wiring. See Figure 2. Connect signal wires to terminals 1 (+) and 2 (-). Route wires from Inverter and connect to the input of the peripheral device.

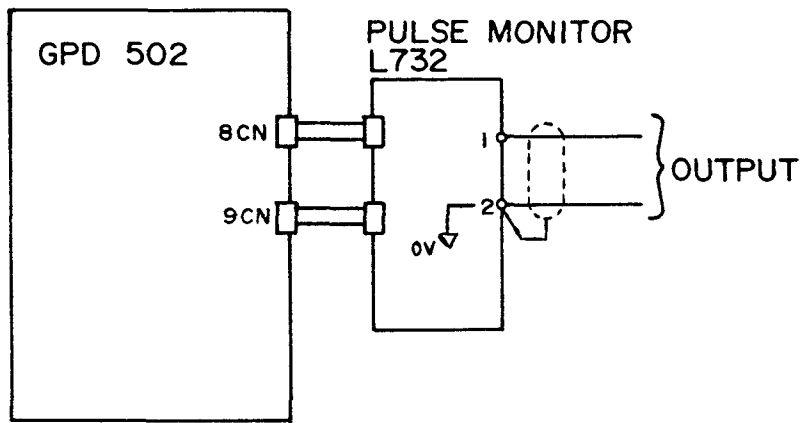


Figure 2. Interconnection Diagram For Pulse Monitor

DWG. NO. 02Y00025-0262
 SHEET 3 OF 4
 EFF. 11/15/88 (I)

6. Adjustments. There are no adjustments to be made on the Pulse Monitor; however, the Lancer GPD 502 will have to be reprogrammed for the particular pulse output required. Refer to Technical Manual description of system constant Sn-07.

7. Reinstall and secure drive front cover.

8. Place this instruction sheet with the inverter Technical Manual.

This completes installation of this option.

DWG. NO. 02Y00025-0262
SHEET 4 OF 4
EFF. 11/15/88 (I)